

Marshall

Broadcast A/V Division

CV-H20-PWR

Power Supply & Enclosure










User Manual

Table of Contents

- 1. Warning..... 2
- 2. AC 24V Power Box..... 3
- 3. Installation of AC 24V Adapter 4
 - PCB CV-H20-PWR..... 4
 - PCB CV-H20-HF..... 4
 - Power Cord Installation 5
 - Power Cable L605P-2 (no terminal) Installation..... 7
 - 220~240 VAC Power input Connection..... 7
 - 110~120 VAC Power input Connection 4
- 4. Dimensions..... 8
- 5. Important Safeguards..... 10
- 6. Safety Precautions 10
- 7. Unpacking..... 10

1. Warning

	<p>WARNING</p> <p>To reduce the risks of an electric shock, do not expose inside of this unit to rain or moisture.</p> <p>Installation on a rainy day may also cause fog around the capsule.</p>
	
	<p>Installation</p> <p>Installation shall be done by qualified installer only and should conform to all local codes.</p>
	<p>Ensuring strength of supporting Housing Unit</p> <p>The unit must be properly and securely mounted to a supporting structure capable of sustaining the weight of the unit. Recommend using 3/8" stainless screws x four (4).</p>
	<p>Prohibit changes or modifications of equipment</p> <p>You are cautioned that any changes or modifications not expressly approved in these instructions could void your authority to operate this equipment.</p>
	<p>Basic Operating Environment Condition</p> <p>We provide warranty for the products that are installed under normal outdoor -20°C ~ +50°C conditions. We are unable to provide warranty for the products which are installed indoors and exposed to constant high temperature over +50°C and over 90% humidity.</p> <p>Operating temperature and humidity of camera varies from camera to camera. You are requested to conform to camera specifications with camera manufacturer and housing specifications in advance.</p> <p>i.e. -20°C or below, you are requested to use additional heater and +50°C or above you are requested to use two blowers and Sunshield.</p>
	<p>Fasten wires tightly.</p> <p>Attention:</p> <p>Keep wires away from the Fan / Heater, and do not disturb Fan/Heater's performance</p>

2. AC 24V Power Box

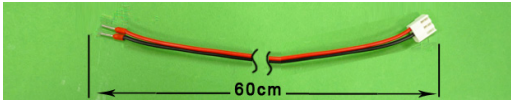

WARNING

The unit must be properly and securely mounted to a supporting structure capable of sustaining the weight of unit. Recommend using stainless screws.


Compliance To   (Only for Transformer)



Accessories

L605P-2: Power Output Cable from CV-H20-PWR circuit board to fan/heater board in housing	
No. 5 Allen Key: To screw the 6 x 20 hex head cap	

Application Product

Wall Mount Bracket	
--------------------	---

3. Installation of AC 24V Adapter

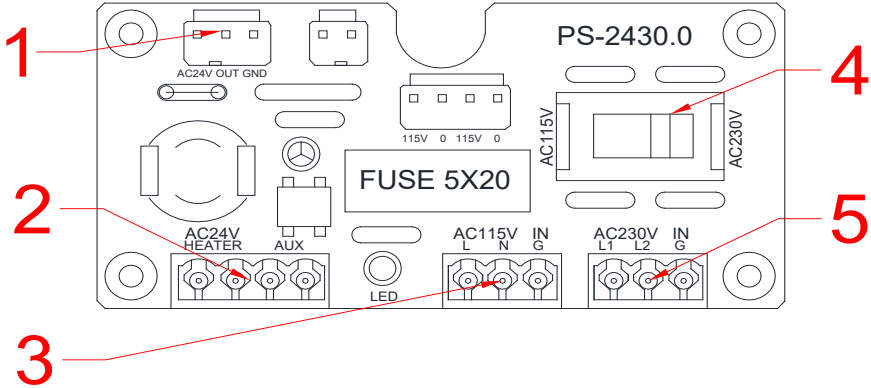


Figure A: PCB CV-H20-PWR

- 1. AC24V OUTPUT
- 2. AC24V output for heater and AUX
- 3. AC110~120V INPUT
- 4. 115/230VAC Switch
- 5. AC220~240V INPUT

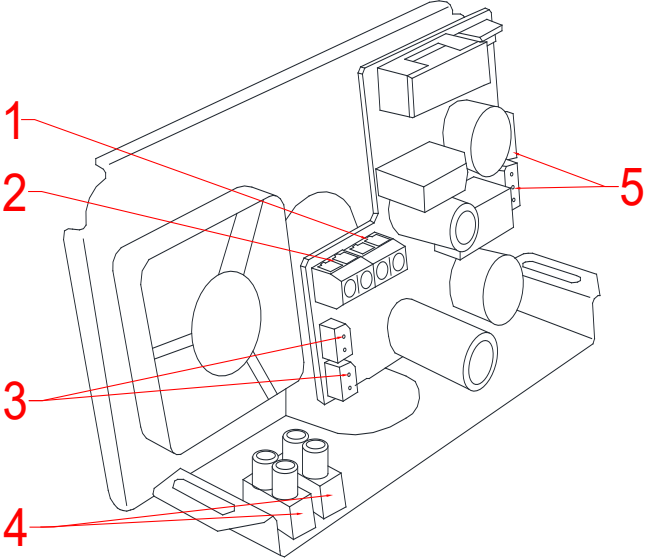
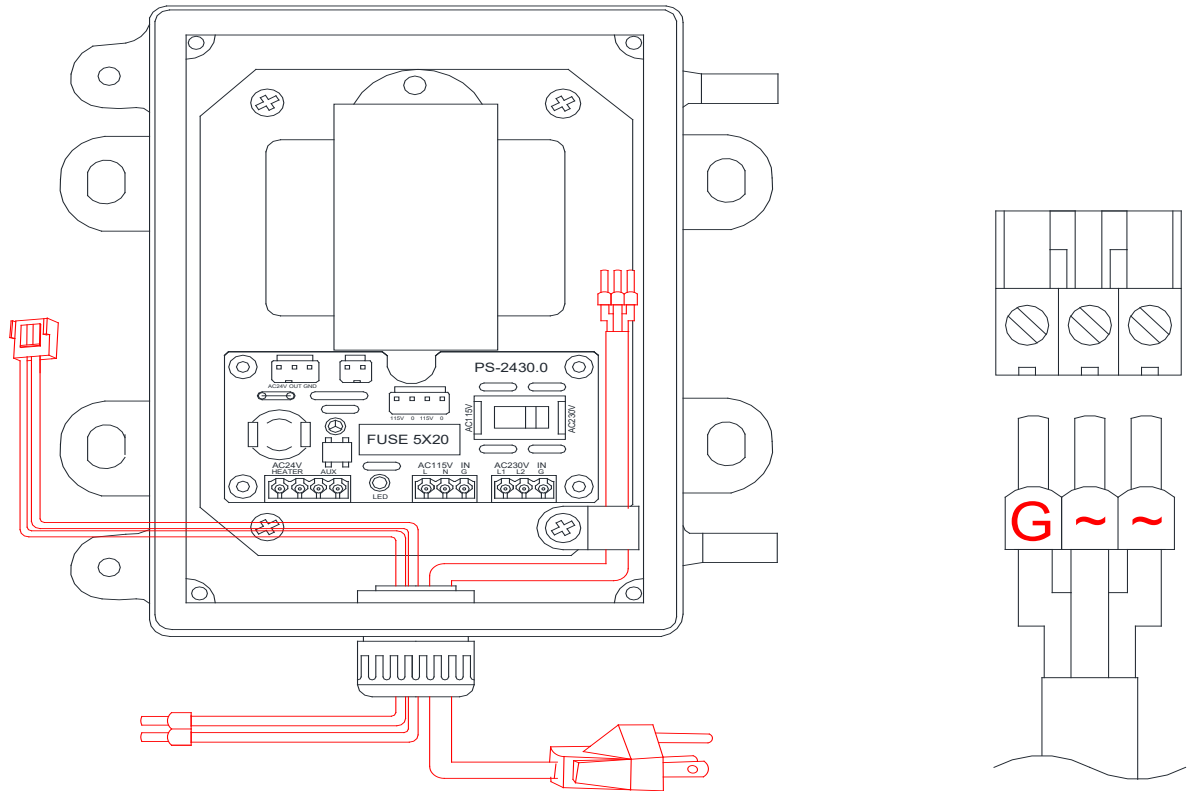


Figure B: PCB CV-H20-HF

- 1. AC24V OUTPUT
- 2. DC12V OUTPUT
- 3. DC12V FAN
- 4. AC24V INPUT
- 5. AC24V HEATER

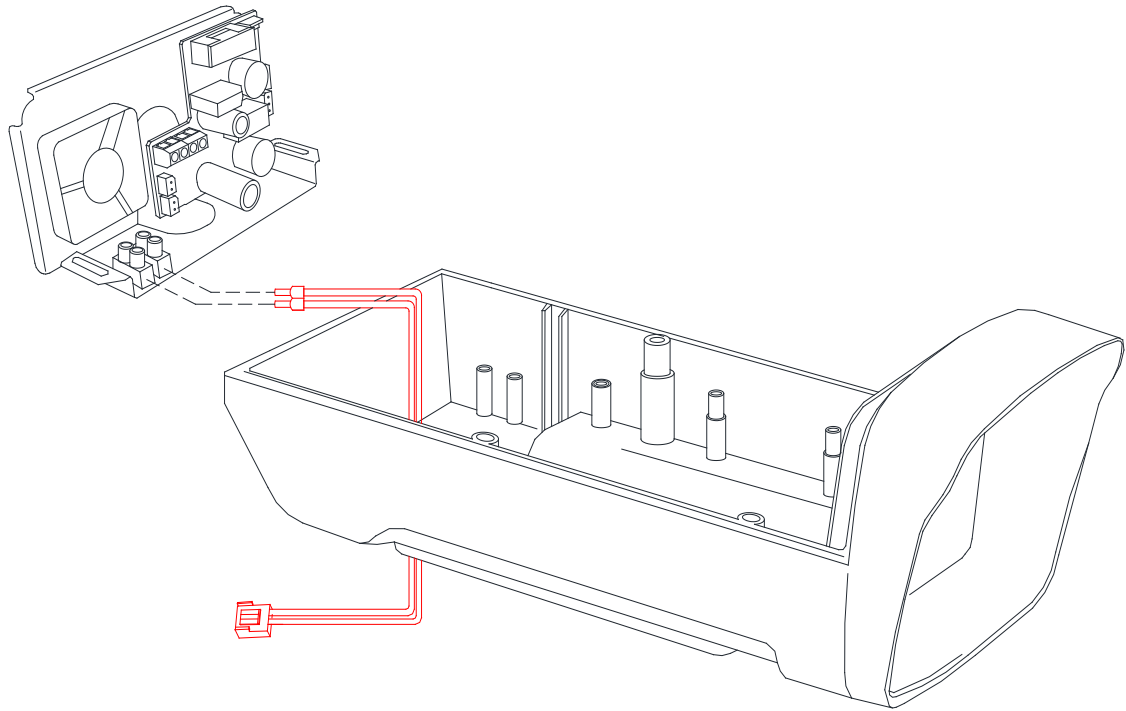


Power cord installation:

1. Make the power cord go through the cable gland into the power box, and use the cable strap to fix it on the box's plate.
2. Fix 3 wires with Phoenix connector, the green wire needs to be fixed into G (Ground) position.
3. After fixing ready wires of power cord on Phoenix connector, plug the Phoenix connector into CV-H20-PWR PCB AC115V or AC230V connector (depends on your power input).

Power Cable L605P-2 (no terminal) installation:

1. Go through Cable L605P-2 (no terminal) into the cable gland and plug on AC24V out connector. (Please refer to figure A, No. 1).
2. Another side of cable, goes through the box housing's cable gland to fix on terminal as below image. (Please refer to figure B, No. 4).



WARNING

For safety purposes, all following installations of electrical cables should be done by a qualified, trained electrician, or technician.



DANGER!

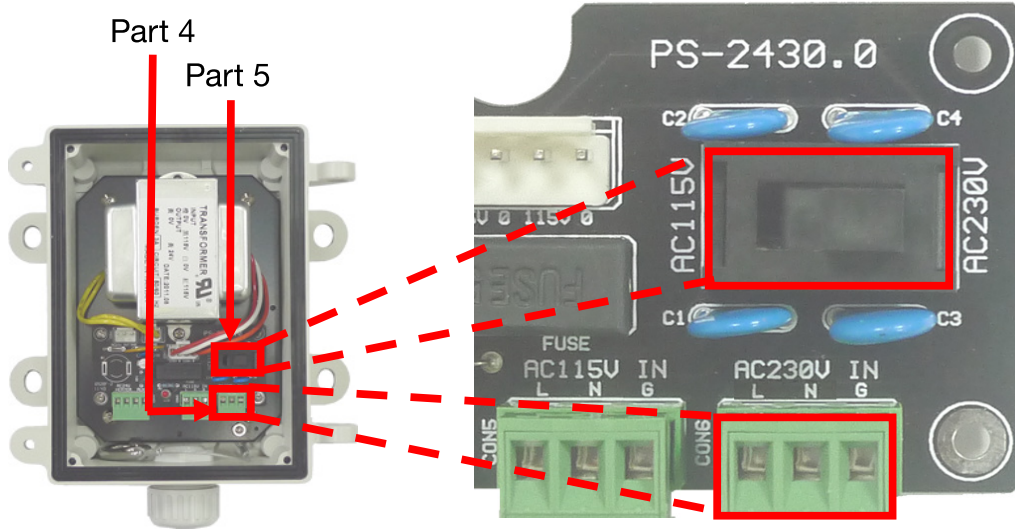
For preventing electric shock, before all cables are wired properly DO NOT plug AC power-plugs into 3 pin sockets.



DANGER!

Please make sure AC power-plugs DO NOT PLUG into 3 pin sockets before step 4-1 or 4-2.

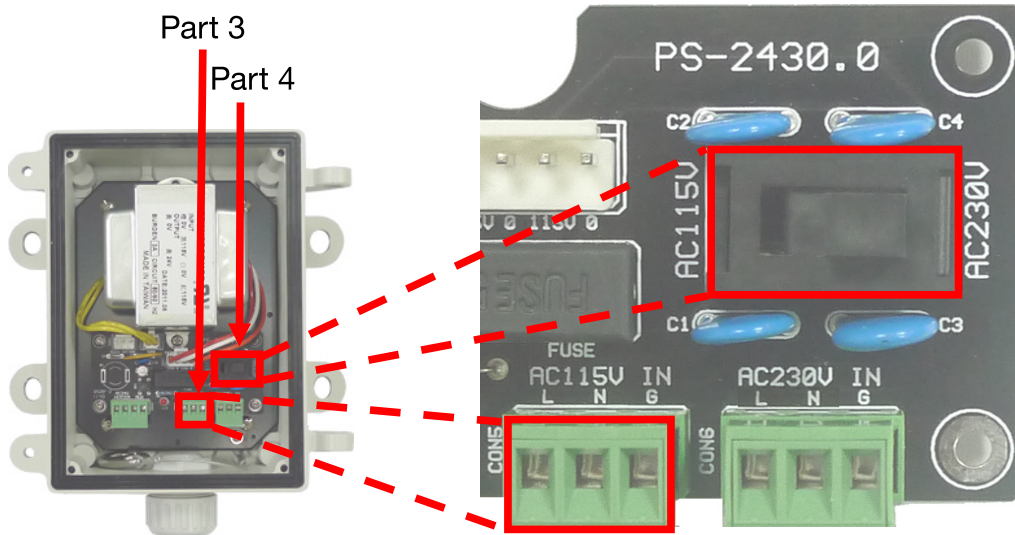
For 220~240VAC Power input Connection



4-1

For 220~240VAC Power input connection, connect L(Live), N(Neutral), and G(Ground) power wires to corresponding screw terminal of AC230V POWER INPUT (part 5), and turn switch (part no. 4) to AC230V.

For 110~120 VAC Power input Connection



4-3

For 110~120VAC VAC Power input connection, connect L(Live), N(Neutral), and G(Ground) power wires to corresponding screw terminal of AC115V POWER INPUT (part no. 3), and turn switch (part no.4) to AC115V.

Note:

For one heater, total power is 3A (around 72W), fan and heater consume around 25W.

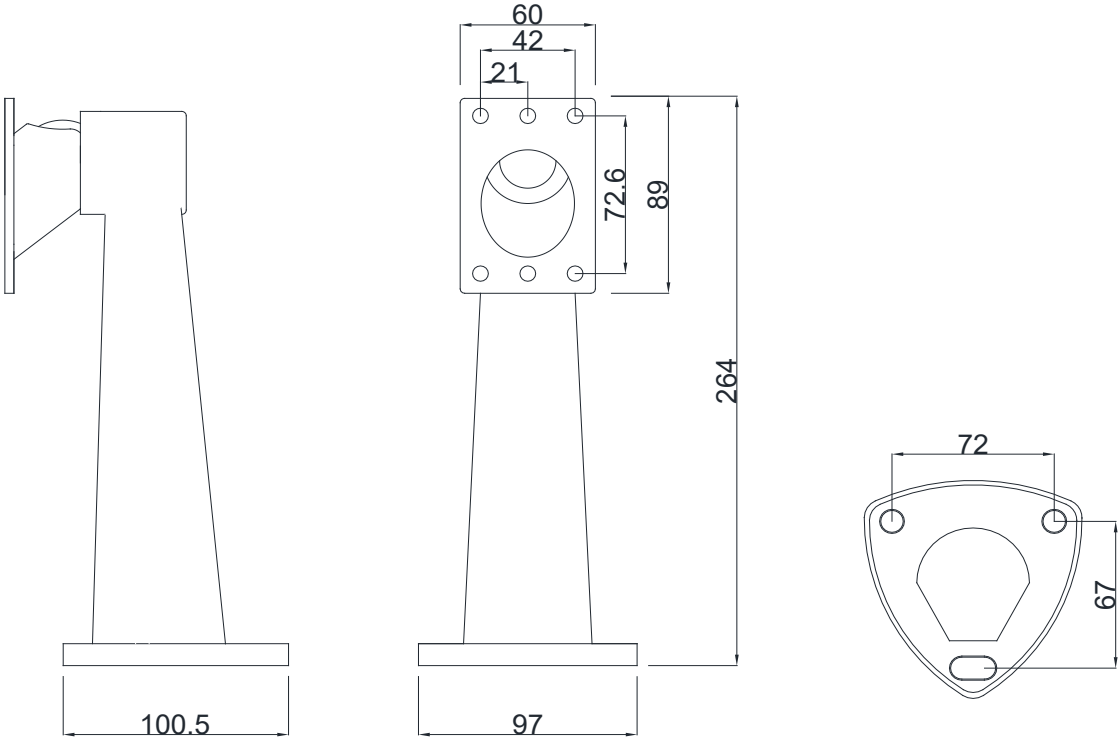
After fan and heater working, there is 47W power that can be used.

Recommend using two heaters at the area which is below -25 C. For two heaters, total power is 3A (around 72W), fan and heater consume around 45W.

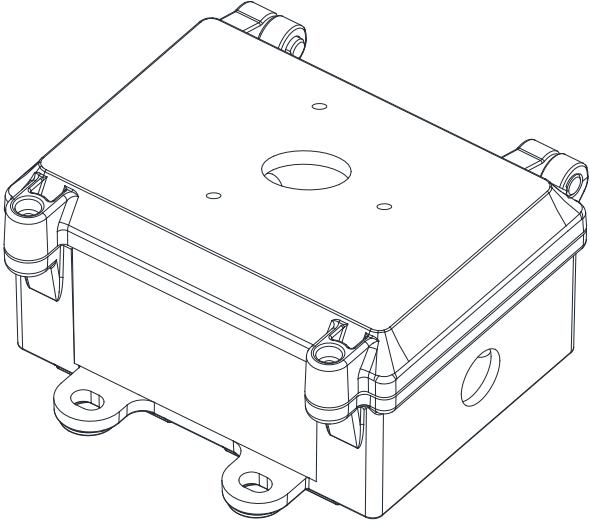
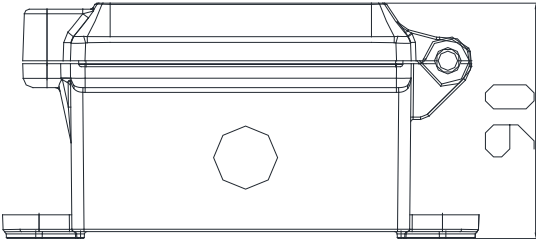
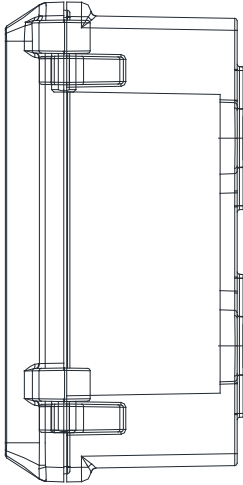
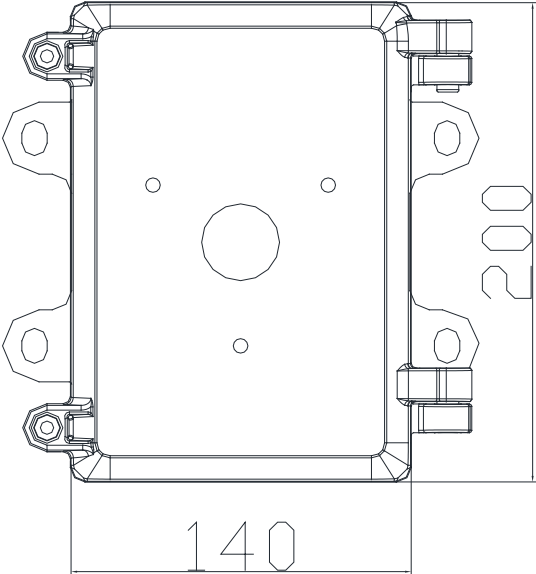
After fan and heater working, there is 27W power that can be used.

4. Dimensions

Wall mount bracket



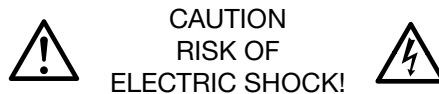
Power box



IMPORTANT SAFEGUARDS

1. **Read Instructions** – All the safety and operating instructions should be read before operating the unit.
2. **Retain Instructions** – The safety and operating instructions should be retained for future reference.
3. **Heed Warnings** – All warnings on the unit and in the operating instructions should be adhered to.
4. **Follow Instructions** – All operating user instructions should be followed.
5. **Electrical Connections** – Only a qualified electrician should make the electrical connections.
6. **Attachments** – Do not use attachments not recommended by the product manufacturer as they may cause hazards.
7. **Cable Runs** – All cable runs must be within permissible distance.
8. **Mounting** – This unit must be properly and securely mounted to a supporting structure capable of sustaining
 - a. The installation should be made by a qualified installer.
 - b. The installation should be in compliance with local codes.
 - c. Care should be exercised to select suitable hardware to install the unit, taking into account both the composition of the mounting surface and the weight of the unit. Be sure to periodically examine the unit and the supporting structure to make sure that the integrity of the installation is intact. Failure to comply with the foregoing could result in the unit separating from the support structure and falling, with resultant damages or injury to anyone or anything struck by the falling unit.

SAFETY PRECAUTIONS



CAUTION: TO REDUCE THE RISK OF ELECTRICAL SHOCK, DO NOT EXPOSE COMPONENTS TO WATER OR MOISTURE.



The lightning flash with an arrowhead symbol, within an equilateral triangle, is intended to alert the user to the presence of non-insulated “dangerous voltage” within the product’s enclosure that may be of sufficient magnitude to constitute a risk of electric shock to persons.



The exclamation point within an equilateral triangle is intended to alert the user to the presence of important operating and maintenance (servicing) instructions in the literature accompanying the appliance.

UNPACKING

Unpack carefully. Electric components can be damaged if improperly handled or dropped. If any of the products appear to have been damaged during the shipment, replace it properly in its carton and notify the shipper.

Be sure to save:

1. The shipping carton and packaging material. They are the safest material in which to make future shipments of the equipment
2. The Installation and Operating Instructions.